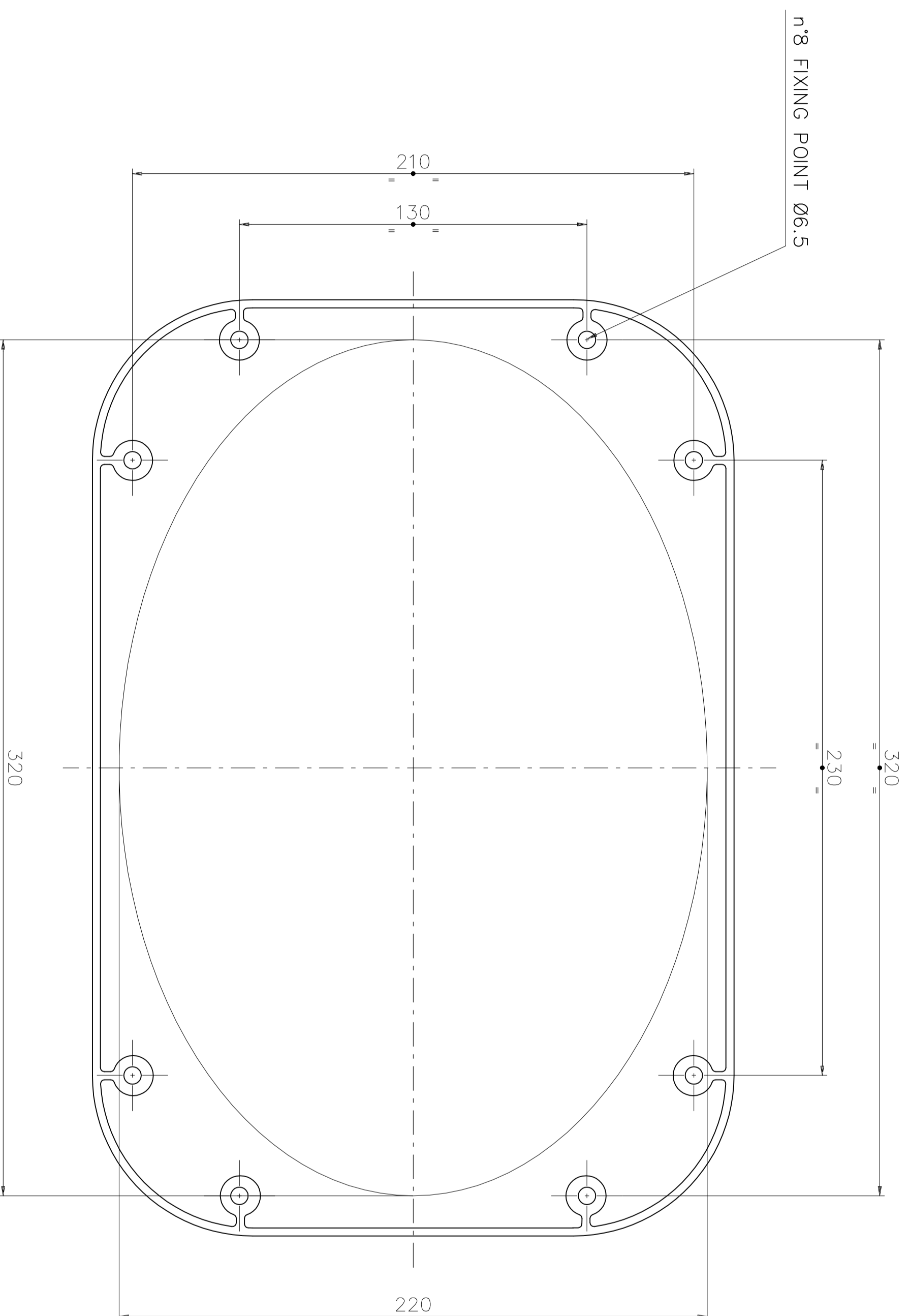
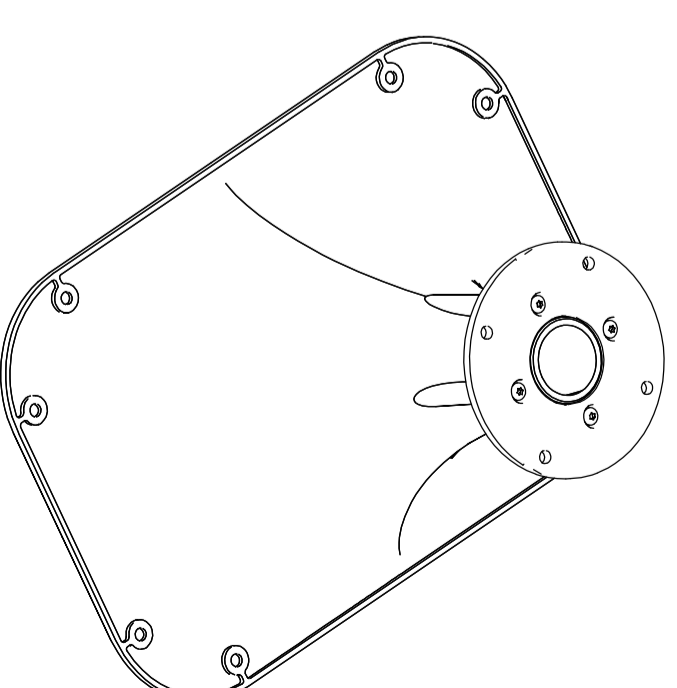


LTH 142

SUGGESTED BAFFLE CUTOUT



10mm

1 inch

THE SHOWN DIMENSION ARE EXPRESSED IN MILLIMETERS